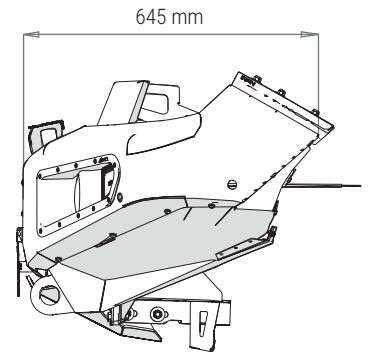
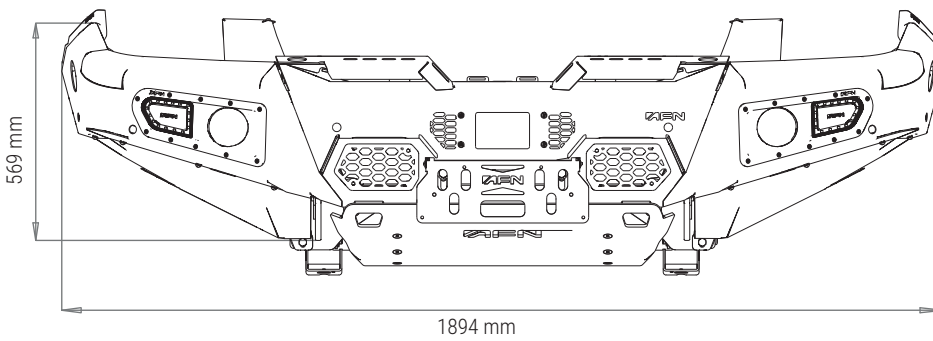


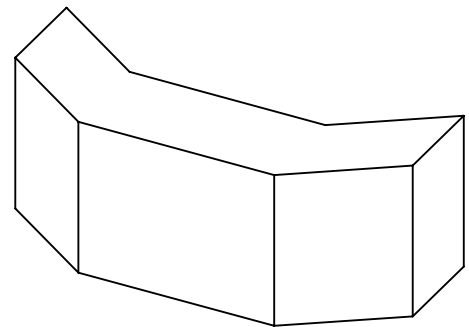
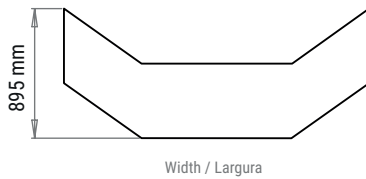
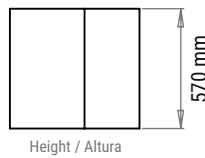
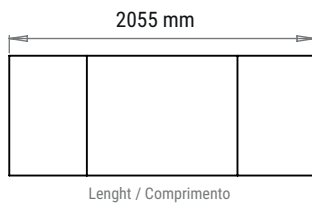
PRODUCT SPECIFICATIONS

48002900 FRONT BUMPER WITH FOG LIGHTS FORD RANGER



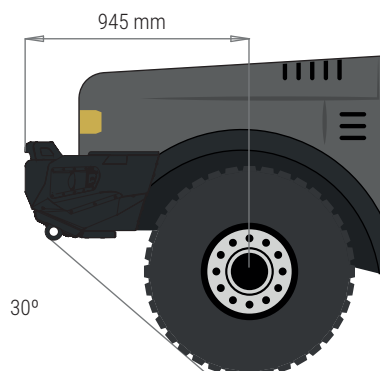
Weight: 72Kg

PACKAGING FOR SHIPMENT



Weight: 14 Kg

APPROACH AND DEPARTURE ANGLES



*referring to the original tire