

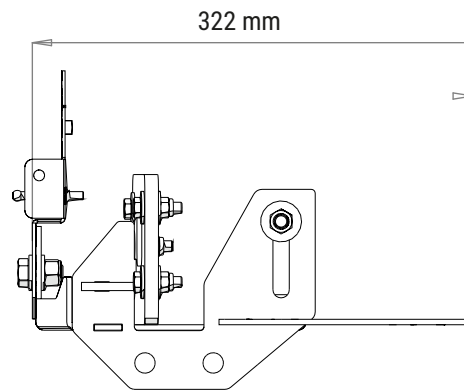
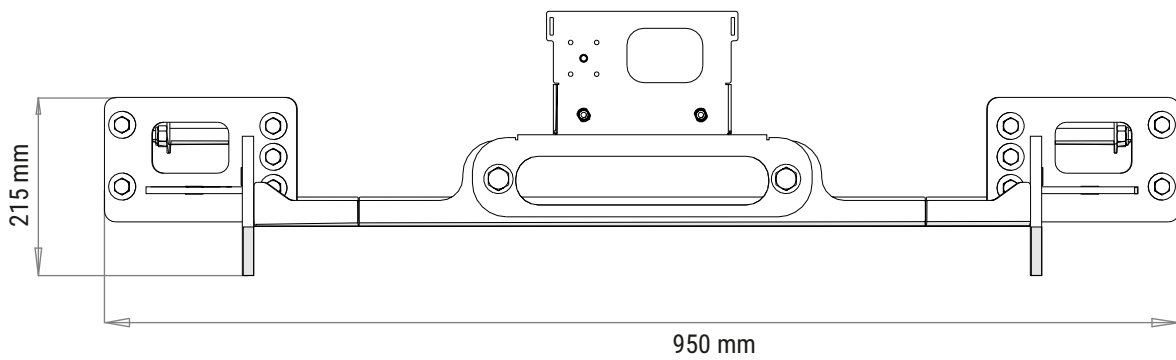
PRODUCT SPECIFICATIONS



VW AMAROK
FORD RANGER AND RAPTOR

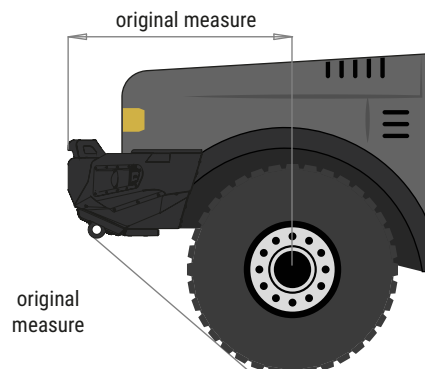
48002891 WINCH MOUNT

VOLKSWAGEN AMAROK
FORD RANGER AND RAPTOR



Weight: 11Kg

APPROACH AND DEPARTURE ANGLES



*referring to the original tire