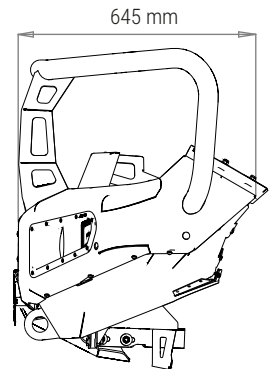
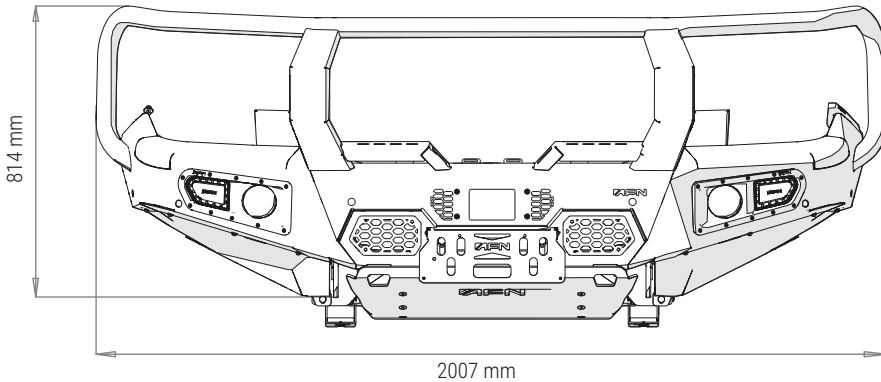


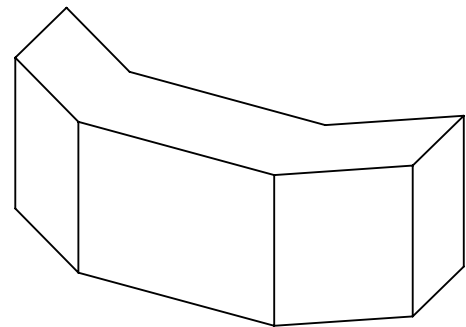
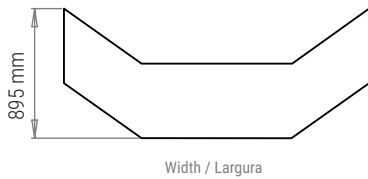
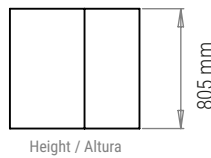
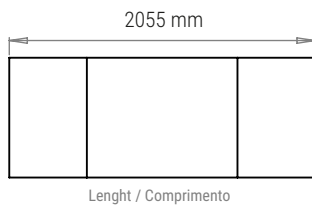
PRODUCT SPECIFICATIONS

48002864 BULL BAR WITH FOG LIGHTS FORD RANGER



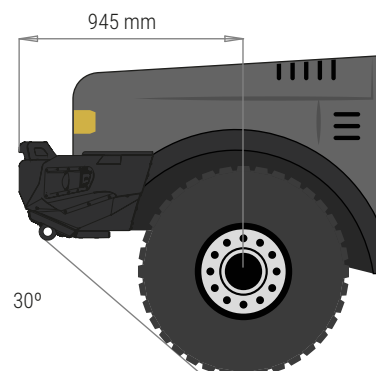
Weight: 82Kg

PACKAGING FOR SHIPMENT



Weight: 14 Kg

APPROACH AND DEPARTURE ANGLES



*referring to the original tire