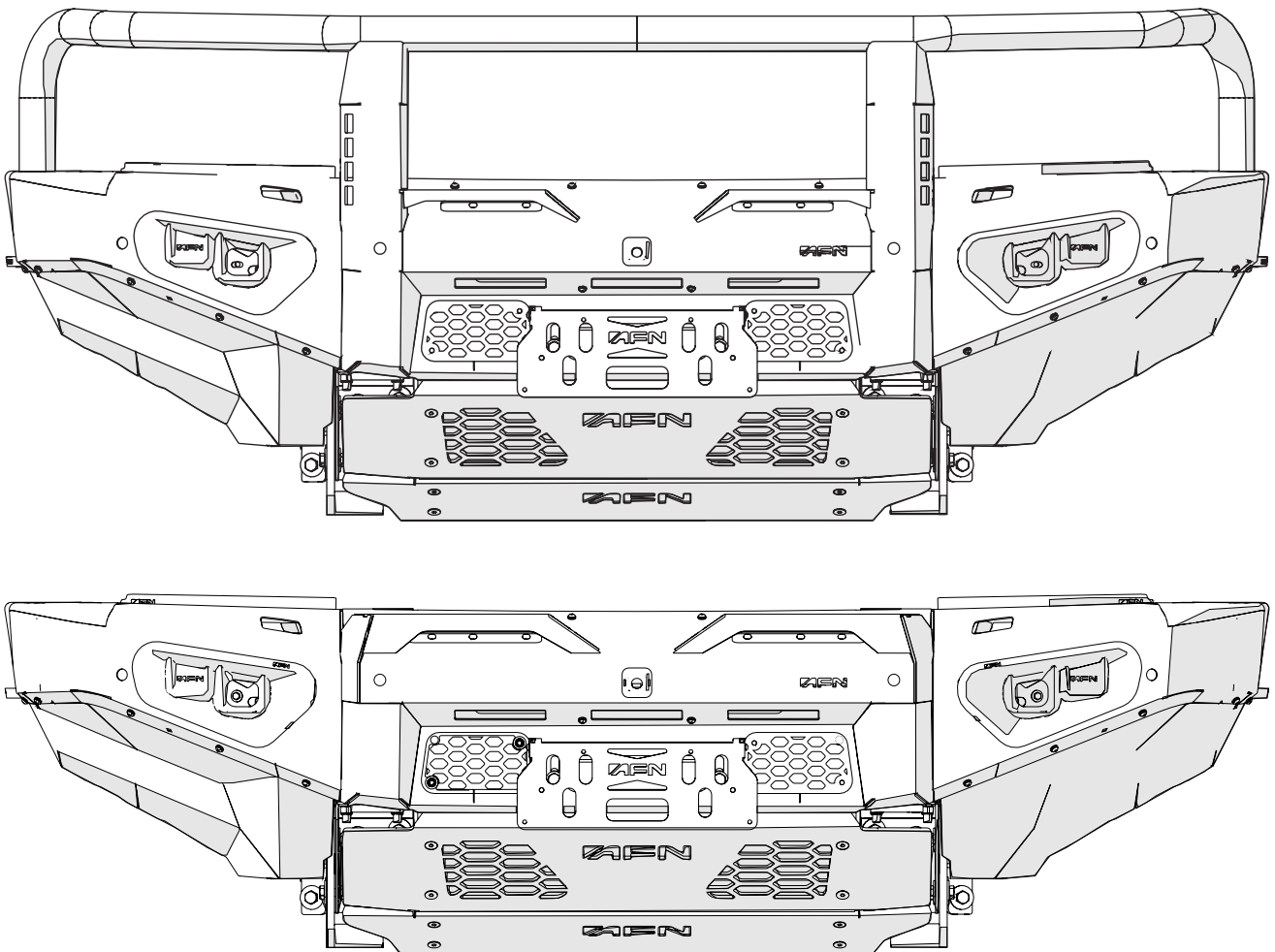




4 X 4 A C C E S S O R I E S

# Fitting Instructions

Toyota LC 250



This manual contains the **Toyota LC 250** fitting instructions for:

**Bull Bar W/ fog lights REF: 48002965**

**Front Bumper w/ fog lights REF: 48002985**

## AFN 4x4 Accessories

Product: **Bull Bar w/ fog lights**  
Ref: **48002965**

Product: **Front Bumper w/ fog lights**  
Ref: **48002985**

### Checklist

Products 48002965 **3**

### Fitting Instructions

Step 1	<b>6</b>
Step 2	<b>8</b>
Step 3	<b>9</b>
Step 4	<b>10</b>
Step 5	<b>11</b>
Step 6	<b>12</b>
Step 7	<b>13</b>
Step 8	<b>14</b>
Step 9	<b>15</b>
Step 10	<b>17</b>
Step 11	<b>18</b>
Step 12	<b>19</b>
Final Result	<b>22</b>

# CHECKLIST

- In this section you have a checklist with all parts included for the installation of your AFN product
- This product should be installed as demonstrated in the product fitting instructions
- If verified that any component is damaged, please contact your nearest AFN distributor
- The specified parts will only fit in the models specified by AFN
- Do not modify any component of the product

This checklist is for product **48002965** and **48002985**

## REF.: 48002965

NUMBER	DESCRIPTION	REFERENCE	QTY
1	Bull Bar	47002944	1x

## REF.: 48002985

NUMBER	DESCRIPTION	REFERENCE	QTY
80	Front Bumper	47003073	1x

## REF.: 48002965 & 48002985

NUMBER	DESCRIPTION	REFERENCE	QTY	NUMBER	DESCRIPTION	REFERENCE	QTY
2	Plate Bracket - Australia	47002882	1x	20	Headlight Trim (Right)	46012213	1x
3	Winch Mount	47002945	1x	21	Headlight Trim (Left)	46012212	1x
4	Recovery Point (Left)	47002947	1x	22	Winch Spacer Plate	46012314	2x
5	Recovery Point (Right)	47002946	1x	23	Side Shim 4mm	46012246	2x
6	Middle Reinforcement	46012207	1x	24	Side Shim 2,5mm	46012245	2x
7	Fog Light bracket (Right)	46012433	1x	25	Under Protection bracket (Right)	46012218	1x
8	Fog Light bracket (Left)	46012432	1x	26	Under Protection bracket (Left)	46012217	1x
9	OEM Grill bracket	46012382	1x	27	Wing (Right)	46012210	1x
10	Skid plate bracket (Right)	47003026	1x	28	Wing (Left)	46012209	1x
11	Skid plate bracket (Left)	47003025	1x	29	Under Front Skid Plate	46012364	1x
12	Fender Flaps Trim bracket (Right)	46012222	1x	30	Front Skid Plate	46012206	1x
13	Fender Flaps Trim bracket (Left)	46012221	1x	31	Side Nut Plate Welded (Right)	47002967	1x
14	Fender Flaps Trim (Right)	46012220	1x	32	Side Nut Plate Welded (Left)	47002966	1x
15	Fender Flaps Trim (Left)	46012219	1x	33	Camera bracket	46012208	1x
16	Headlight Trim bracket (Right)	47003018	1x	34	Camera Plastic Case	46012630	1x
17	Headlight Trim bracket (Left)	47003017	1x	35	Shims 4mm	46008194	1x
18	Headlight Washer bracket (Right)	46012340	1x	36	Shims 2,5mm	46008193	1x
19	Headlight Washer bracket (Left)	46012339	1x	37	Bolt M6x16	45001110	4x
				38	Bolt M10x30	45000934	4x

# CHECKLIST

NUMBER	DESCRIPTION	REFERENCE	QTY				
				<b>61</b>	Bolt M6x20	45000043	24x
<b>39</b>	Bolt M12x40	45000267	6x	<b>62</b>	Bolt M6x20	45000998	18x
<b>40</b>	Washer M12 (Big)	45000036	6x	<b>63</b>	Bolt M6x20	45000462	19x
<b>41</b>	Nylock Nut M8	45000018	2x	<b>64</b>	Bolt M6x12	45000965	4x
<b>42</b>	Bolt M8x25	45000014	2x	<b>65</b>	Plastic Washer M6	45001802	14x
<b>43</b>	Washer M8 (Big)	45000011	4x	<b>66</b>	Washer M6	45000979	24x
<b>44</b>	Nut M6	45001112	4x	<b>67</b>	Washer M6	45000050	33x
<b>45</b>	Split Mask Kit	48003018	1x	<b>68</b>	Washer M6 (Big)	45000044	39x
<b>46</b>	Bolt M12x40x1,25	45000361	4x	<b>69</b>	Nylock Nut M6	45000294	2x
<b>47</b>	Bolt M12x40	45000267	12x	<b>70</b>	Nylock Nut M6	45000074	35x
<b>48</b>	Bolt M12x45	45000147	2x	<b>71</b>	Cage Nut M6	45001012	22x
<b>49</b>	Bolt M12x35	45000067	4x	<b>72</b>	Bolt M3,5x16	45001123	10x
<b>50</b>	Washer M12	45000042	4x	<b>73</b>	Plastic Nut	45001113	10x
<b>51</b>	Washer M12 (Big)	45000036	36x	<b>74</b>	Grill (Right)	47002951	1x
<b>52</b>	Nylock Nut M12	45000066	28x	<b>75</b>	Grill (Left)	47002950	1x
<b>53</b>	Bolt M10x25	45000956	4x	<b>70</b>	Nylock Nut M6	45000074	35x
<b>54</b>	Bolt M10x30	45000007	4x	<b>71</b>	Cage Nut M6	45001012	22x
<b>55</b>	Washer M10	45000039	8x	<b>72</b>	Bolt M3,5x16	45001123	10x
<b>56</b>	Nylock Nut M10	45000017	4x	<b>73</b>	Plastic Nut	45001113	10x
<b>57</b>	Bolt M8x30	45000008	2x	<b>74</b>	Grill (Right)	47002951	1x
<b>58</b>	Bolt M8x20	45000549	2x	<b>75</b>	Grill (Left)	47002950	1x
<b>59</b>	Washer M8 (Big)	45000011	6x				
<b>60</b>	Nylock Nut M8	45000018	2x				

**REF.: 48003018**

NUMBER	DESCRIPTION	REFERENCE	QTY
<b>76</b>	Mask (Right)	46012390	1x
<b>77</b>	Mask (Left)	46012389	1x
<b>78</b>	Bolt	45001123	16x
<b>79</b>	Plastic washer	46012491	16x

# FITTING INSTRUCTIONS

**WARNING:**

Before you begin installation, read all instructions thoroughly.  
 Proper tools will improve the quality of installation and reduce the time required.

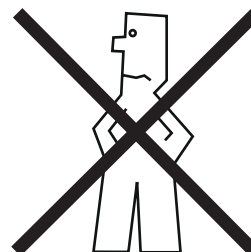
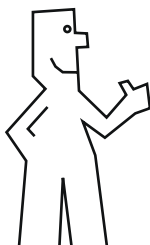
- This product should be installed as demonstrated in the *Product «Fitting Instructions»*;
- The specified parts, will only fit the models specified by **AFN**;
- Do not modify any component of the product;
- It is recommended that this product is installed by specialized and trained personnel;
- AFN doesn't take responsibility for changes made in the vehicle by its manufacturer;
- Work safely and use specialized tools at all times;
- **Always use protective gear.**



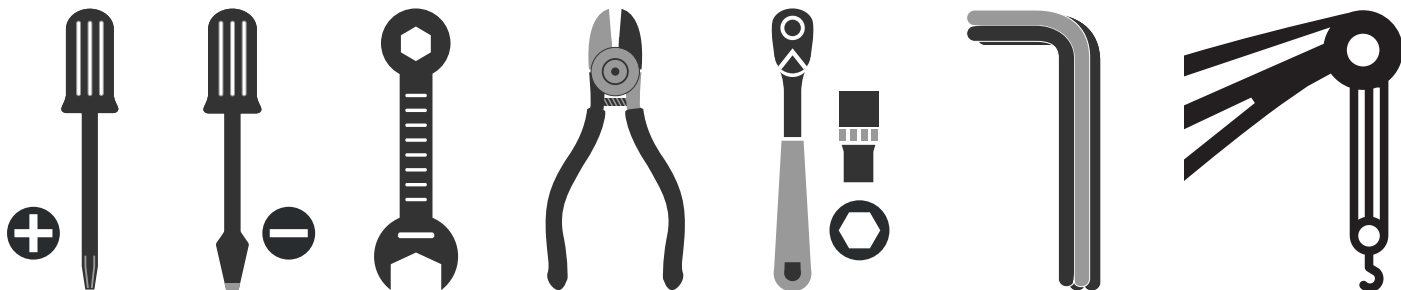
Size	Torque Nm	Torque lbft
M6	9Nm	7lbft
M8	22Nm	16lbft
M10	44Nm	32lbft
M12	77Nm	57lbft

## Mouting Time

- 4 Hours
- 2 Persons (recommended)

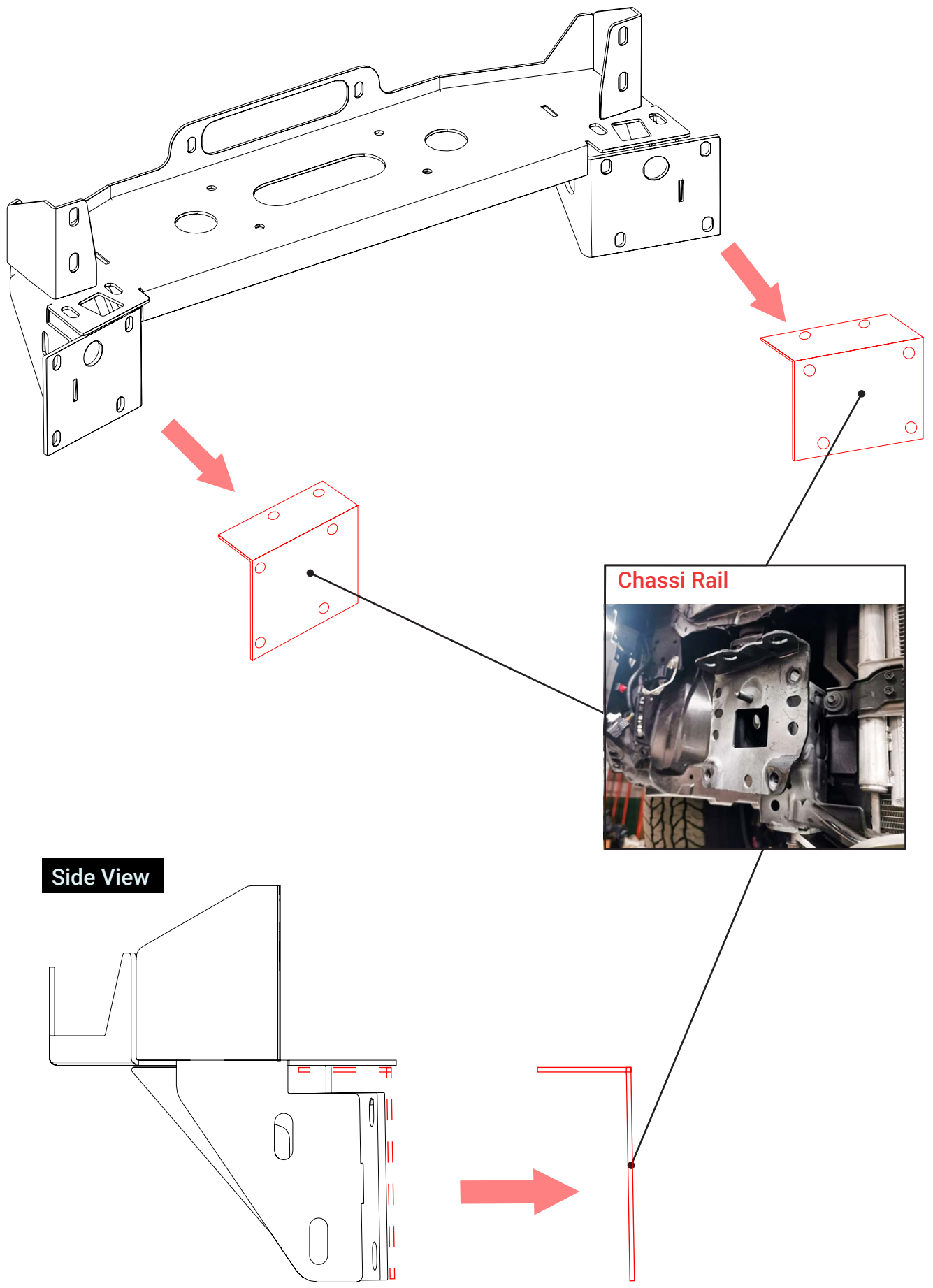


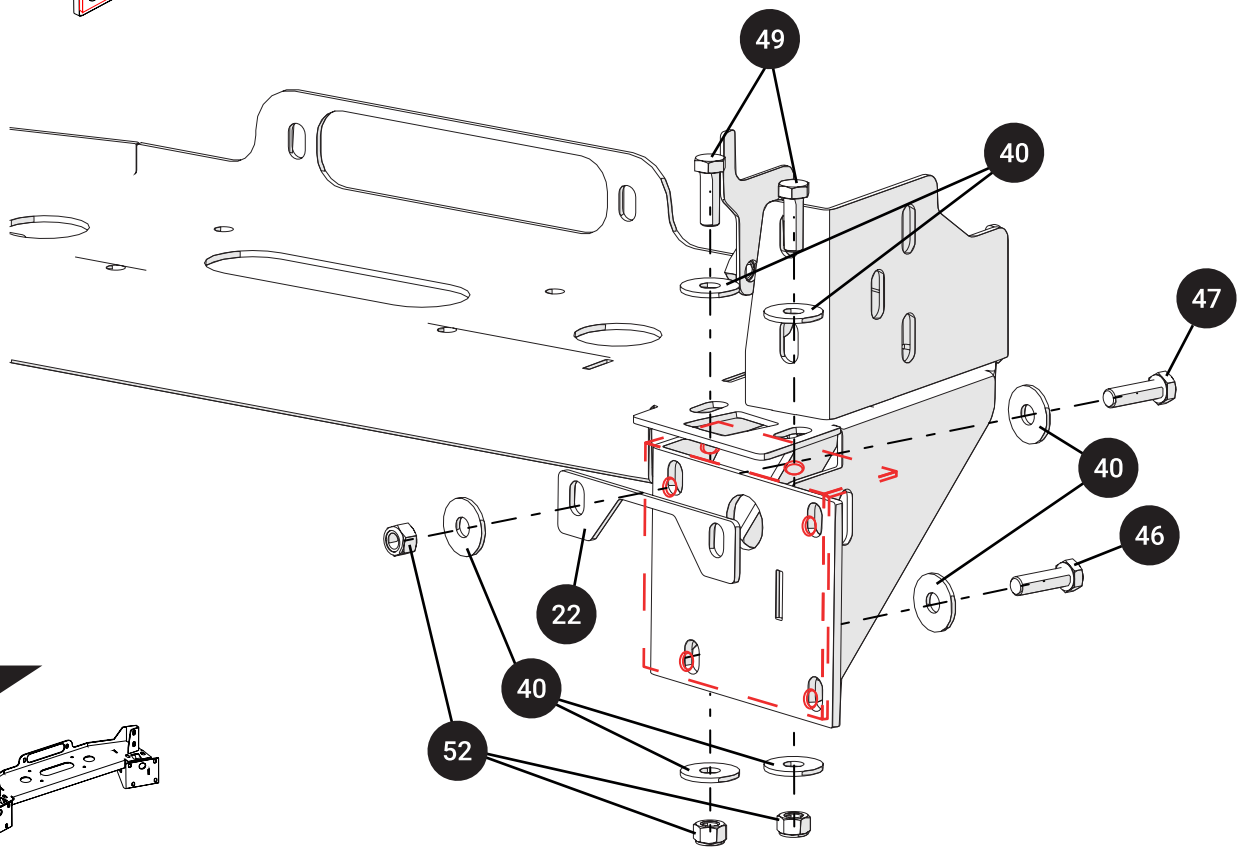
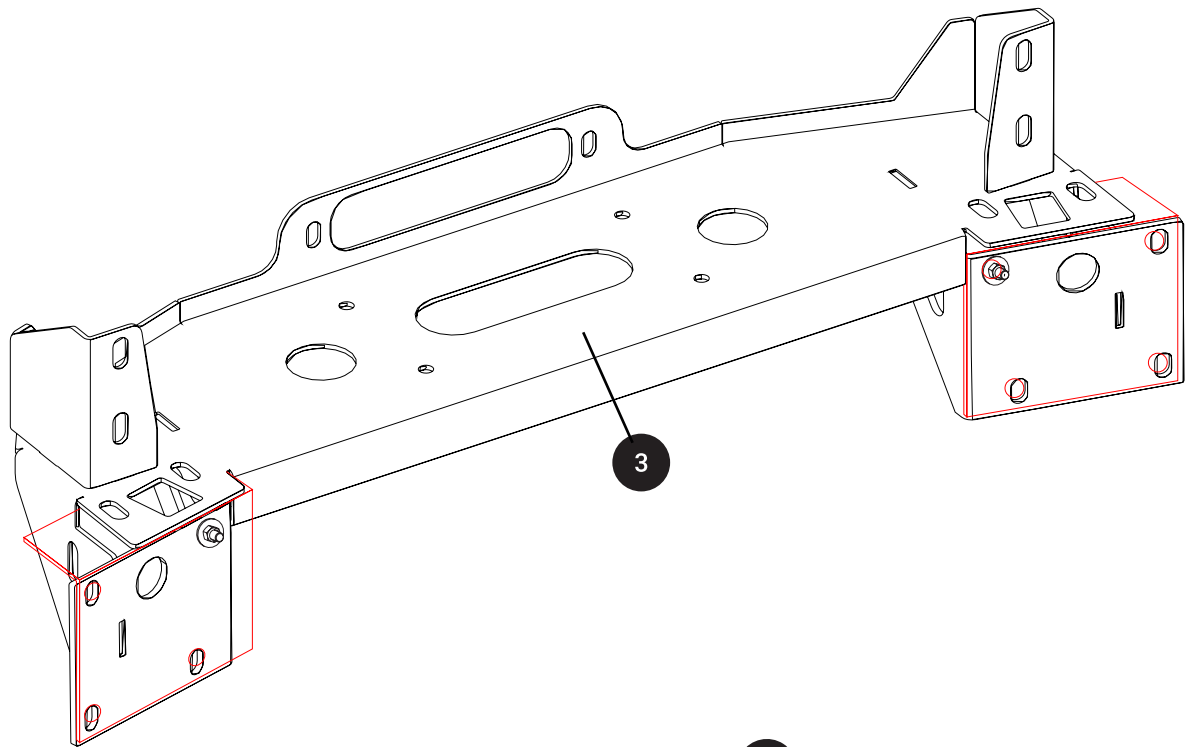
## Tools Required



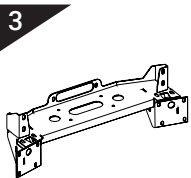
- Screwdriver star head
- Screwdriver flat head
- Wrench
- Wire cutter
- Ratchet wrench
- Allen wrench
- Crane

**Step 1 - Winch Mount**

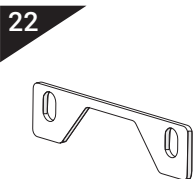




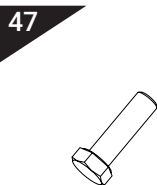
Parts Needed:



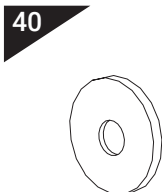
x1 47002974  
Winch Mount



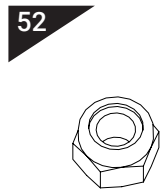
x1 47002974  
Winch Mount



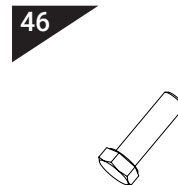
x2 45000267  
Bolt M12x40



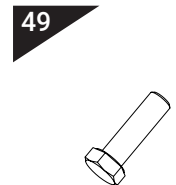
x14 45000042  
Washer M12 (Big)



x6 45000066  
Nylock Nut M12

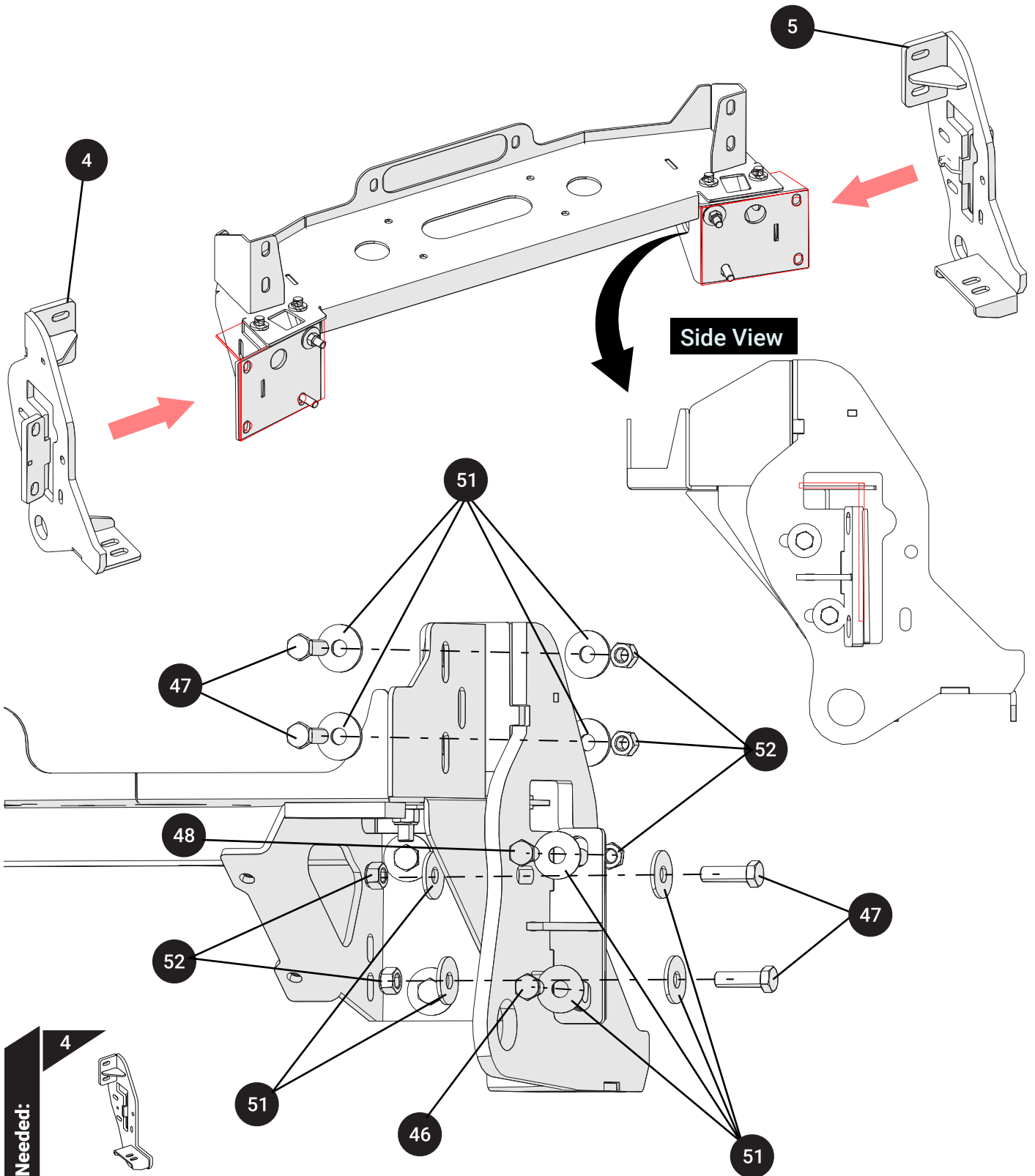


x2 45000361  
Bolt M12x40x1.25



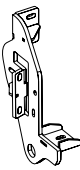

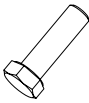
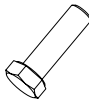
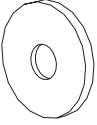

x4 45000267  
Bolt M12x35

**Step 2 - Recovery Points**

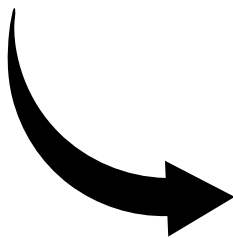
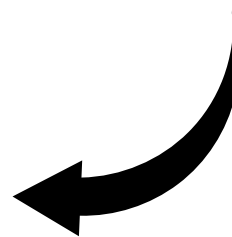
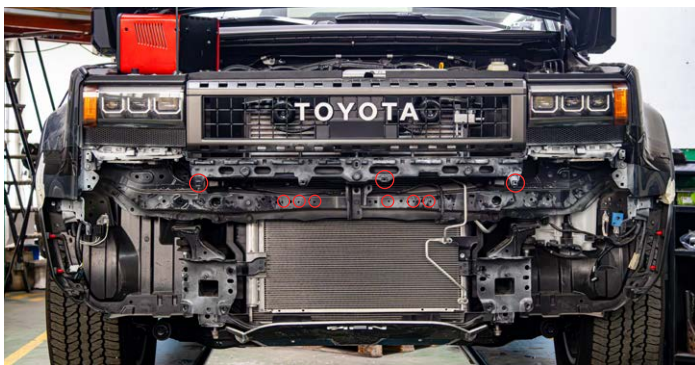
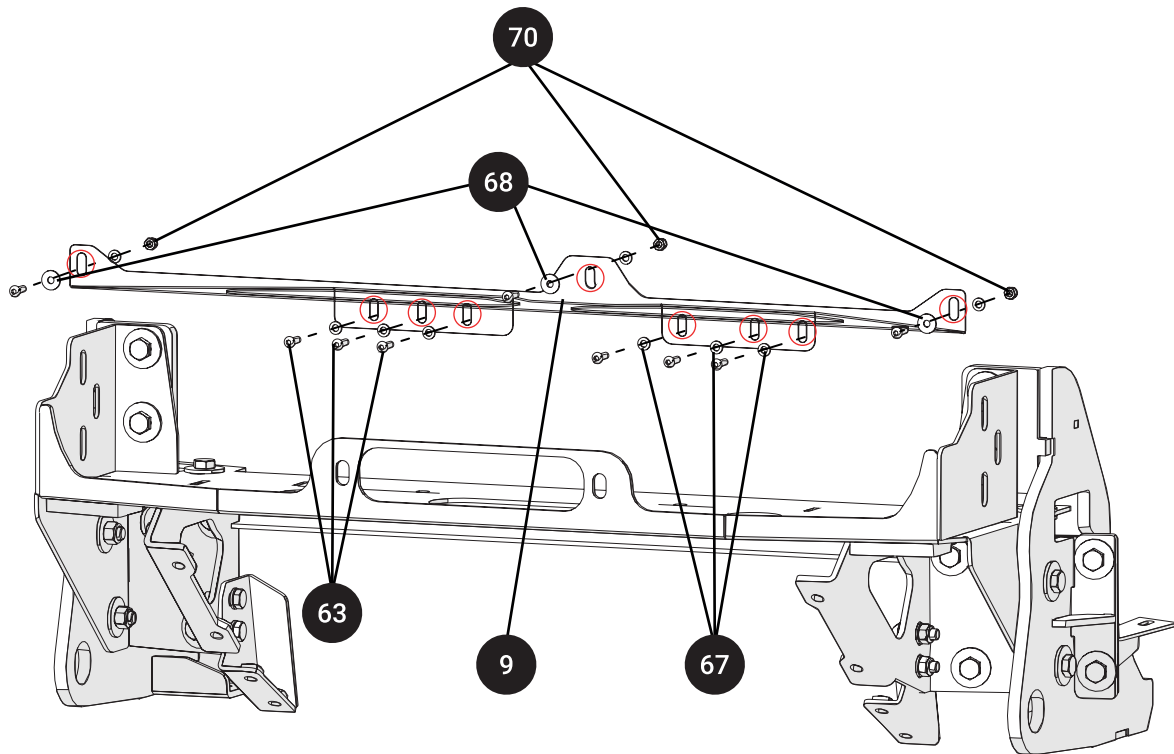


**Parts Needed:**

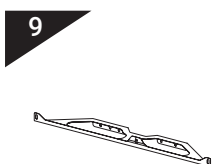
**4**  
 x1 47002947  
 Recovery Point (Right)

- |   |  |  |  |  |   |
|---|--|--|--|--|---|
| <b>5</b><br><br>x1 47002946<br>Recovery Point (Left) | <b>46</b><br><br>x10 45000361<br>Bolt M12x40x1.25 | <b>47</b><br><br>x8 45000267<br>Bolt M12x40 | <b>48</b><br><br>x2 45000147<br>Bolt M12x45 | <b>51</b><br><br>x12 45000036<br>Washer M12 (Big) | <b>52</b><br><br>x2 45000066<br>Nylock Nut M12 |
|---|--|--|--|--|---|

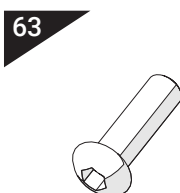
Step 3 - OEM Grill



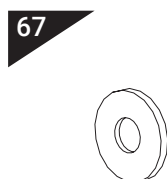
Parts Needed:



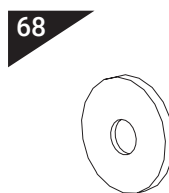
x1 46012382  
OEM Grill bracket



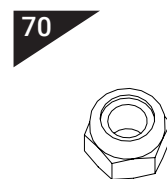
x9 45000462  
Bolt M6x20



x9 45000050  
Washer M6

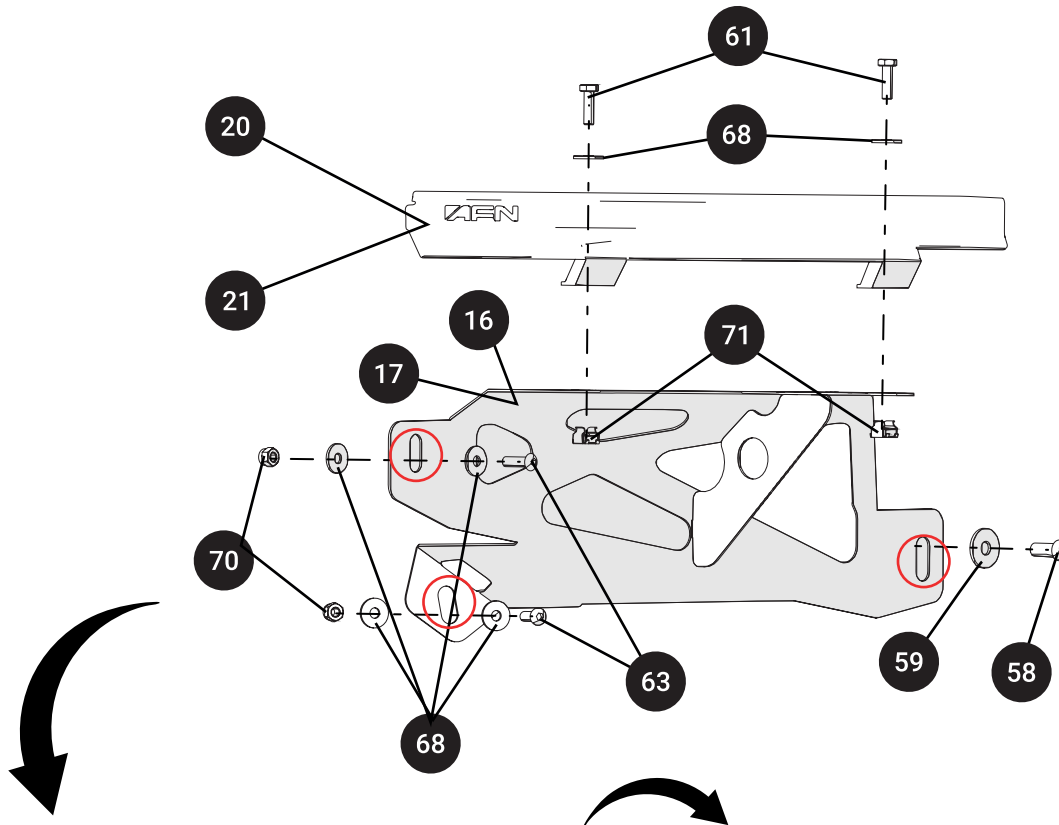


x3 45000044  
Washer M6 (Big)



x3 45000074  
Nylock Nut M6

**Step 4 - Headlight**



**Parts Needed:**

**16**



x1 47003018  
Headlight Trim  
bracket (Right)

**17**



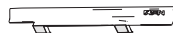
x1 47003017  
Headlight Trim  
bracket (Left)

**20**



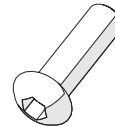
x1 46012213  
Headlight Trim  
(Right)

**21**



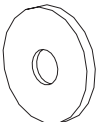
x1 46012212  
Headlight Trim (Left)

**58**



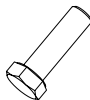
x1 45000549  
Bolt M8x20

**59**



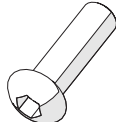
x4 45000011  
Washer M8 (Big)

**61**



x2 45000043  
Bolt M6x20

**63**



x1 45000462  
Bolt M6x20

**68**



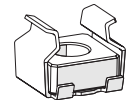
x1 45000044  
Washer M6 (Big)

**70**



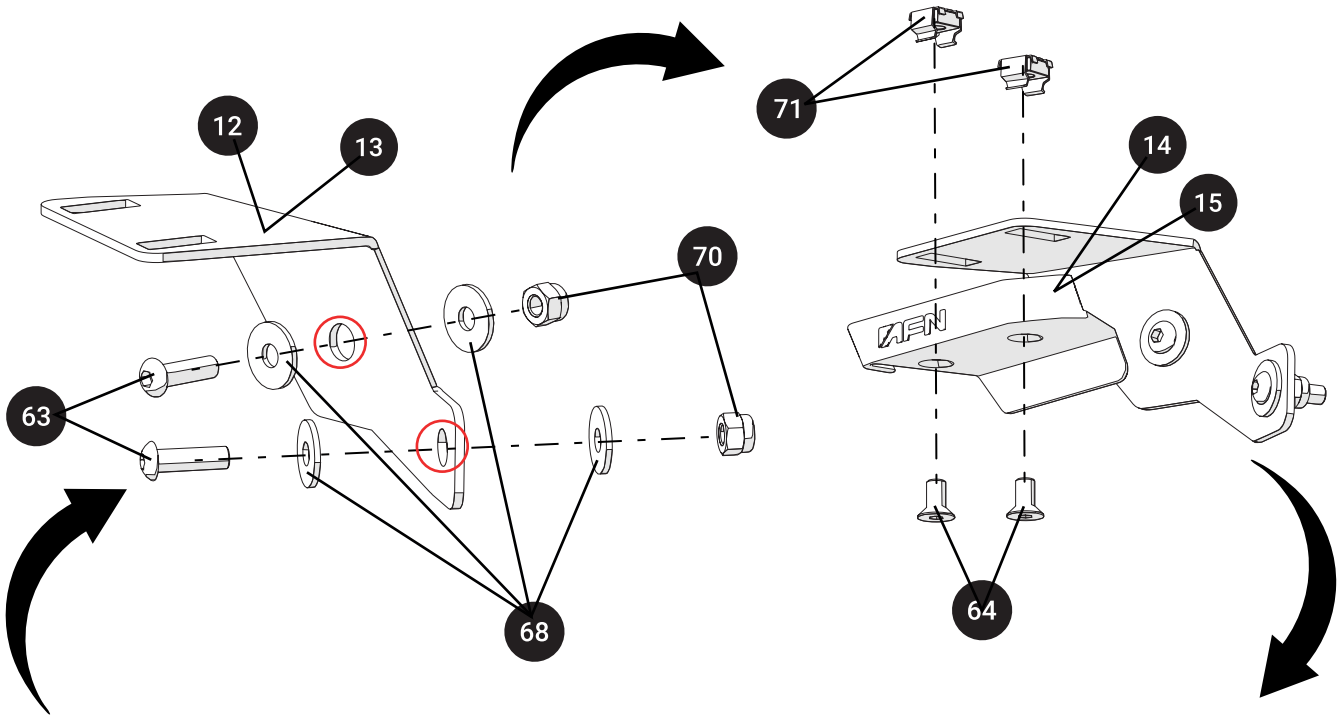
x4 45000074  
Nylock Nut M6

**71**



x4 45001012  
Cage Nut M6

Step 5 - Fender Flaps



Parts Needed:

- 12**

x1 46012222  
Fender Flaps Trim  
bracket (Right)
- 13**

x1 46012221  
Fender Flaps Trim  
bracket (Left)
- 14**

x1 46012220  
Fender Flaps Trim  
(Right)

The cut of the **OEM fender flaps** must be aligned with the bottom of the wheel arch. See image above.

- 15**

x4 46012219  
Fender Flaps Trim  
(Left)
- 63**

x2 45000462  
Bolt M6x20
- 64**

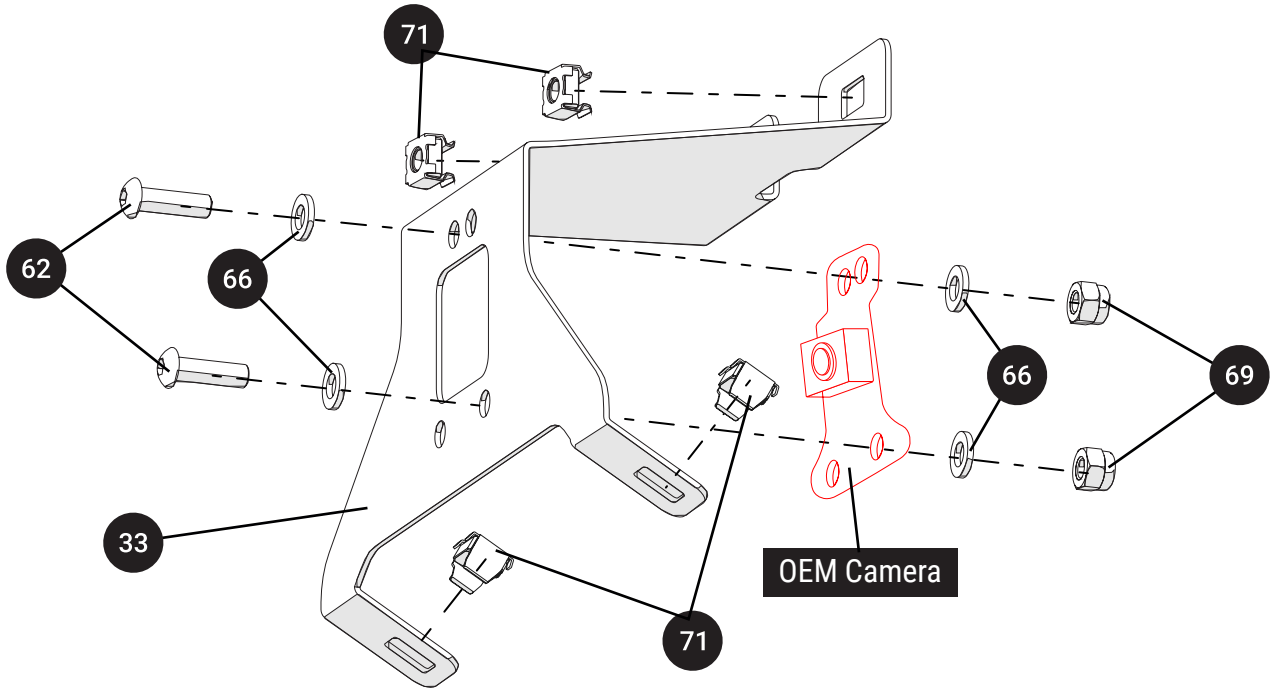
x1 48000965  
Bolt M6x12
- 68**

x4 45000044  
Washer M6 (Big)
- 70**

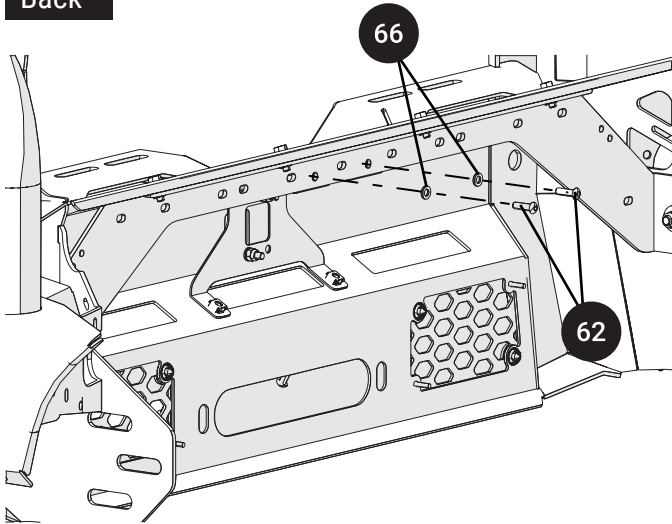
x2 45000074  
Nylock Nut M6
- 71**

x1 48001012  
Cage Nut M6

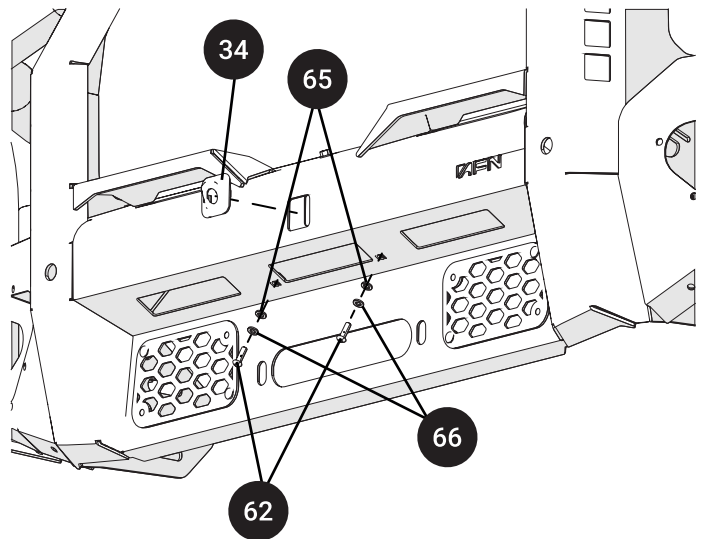
**Step 6 - Camera**



**Back**



**Front**



**Parts Needed:**

**33**



x1 46012208  
Camera bracket

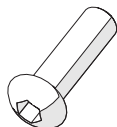
**The next steps, from 6th to 9th, must be respected, is the preparation of the bumper, to be mounted on the winch mount.**

**34**



x1 46012630  
Camera Plastic Case

**62**



x6 46000998  
Bolt M6x20

**65**



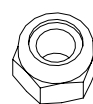
x2 45001802  
Plastic Washer M6

**66**



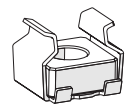
x8 45000979  
Washer M6

**69**



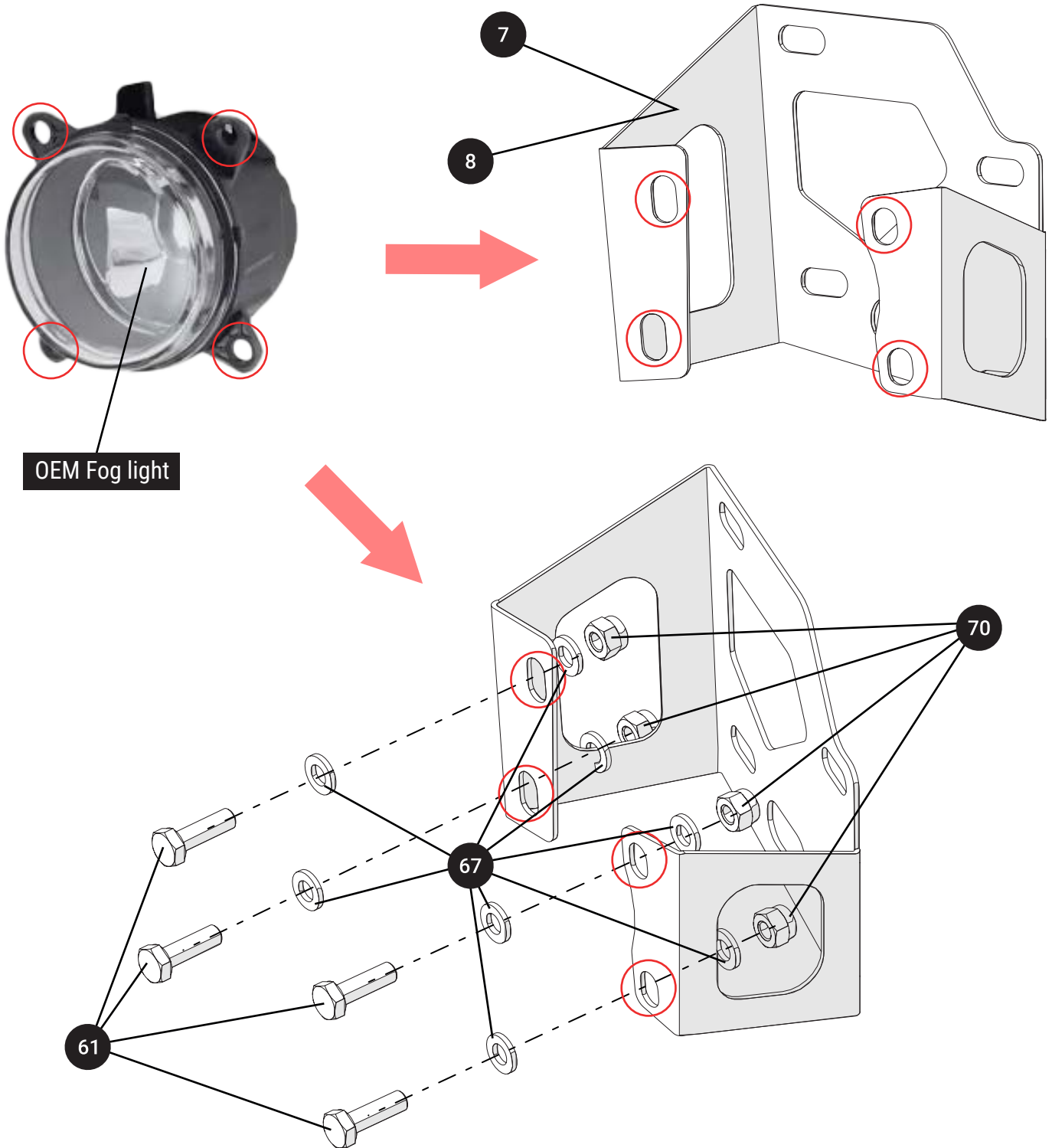
x2 48000294  
Nylock Nut M6

**71**

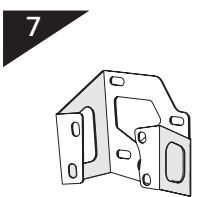


x4 48001012  
Cage Nut M6

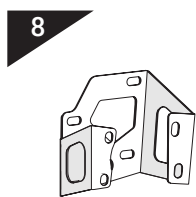
Step 7 - Fog Lights



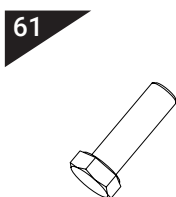
Parts Needed:



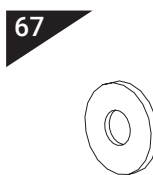
x1 46012433  
Fog Light bracket  
(Right)



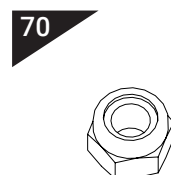
x1 46012432  
Fog Light bracket  
(Left)



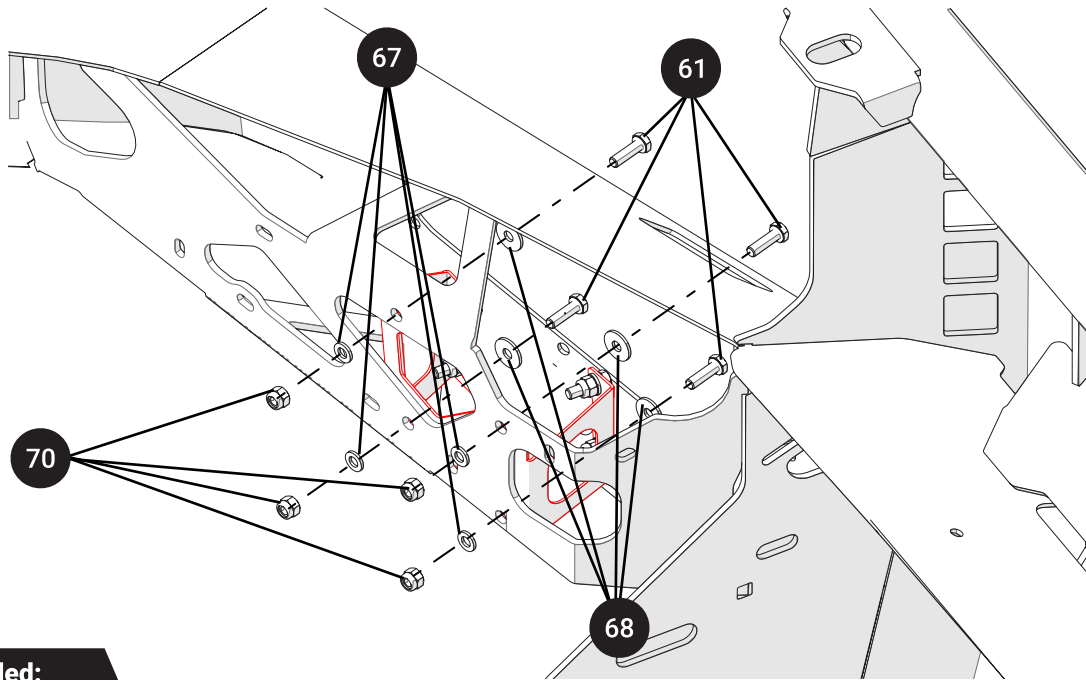
x8 45000043  
Bolt M6x20



x16 45000050  
Washer M6

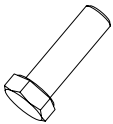


x8 48000074  
Nylock Nut M6



**Parts Needed:**

61



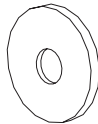
x8 45000043  
Bolt M6x20

67



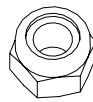
x8 45000050  
Washer M6

68



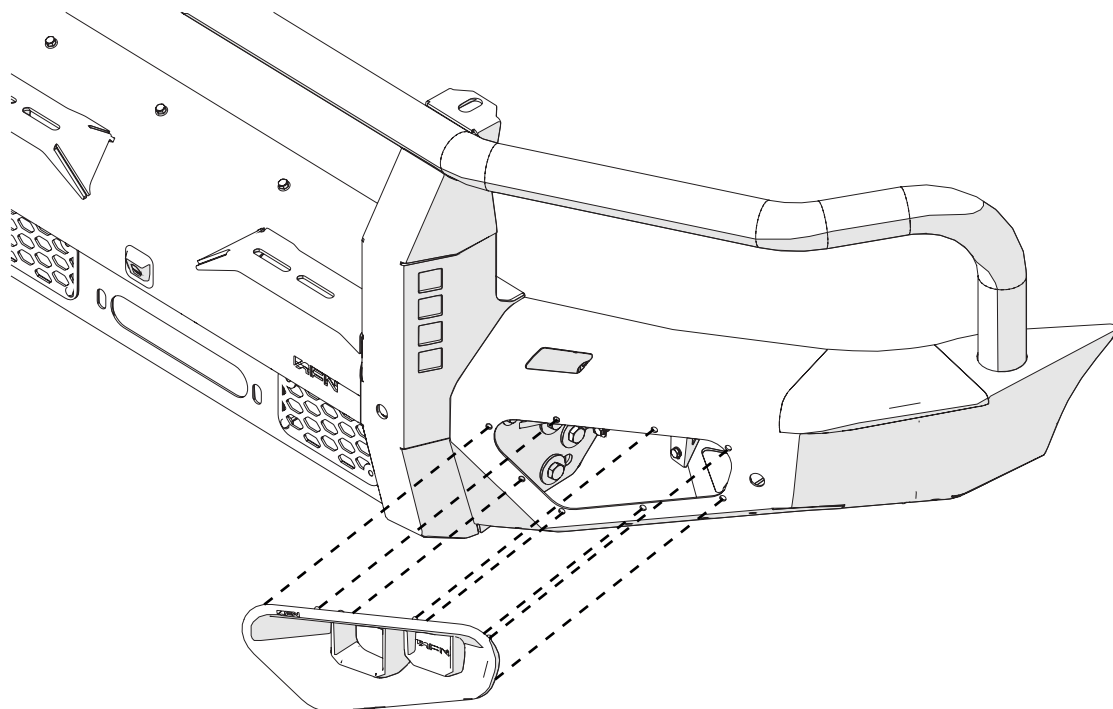
x8 45000044  
Washer M6 (Big)

70

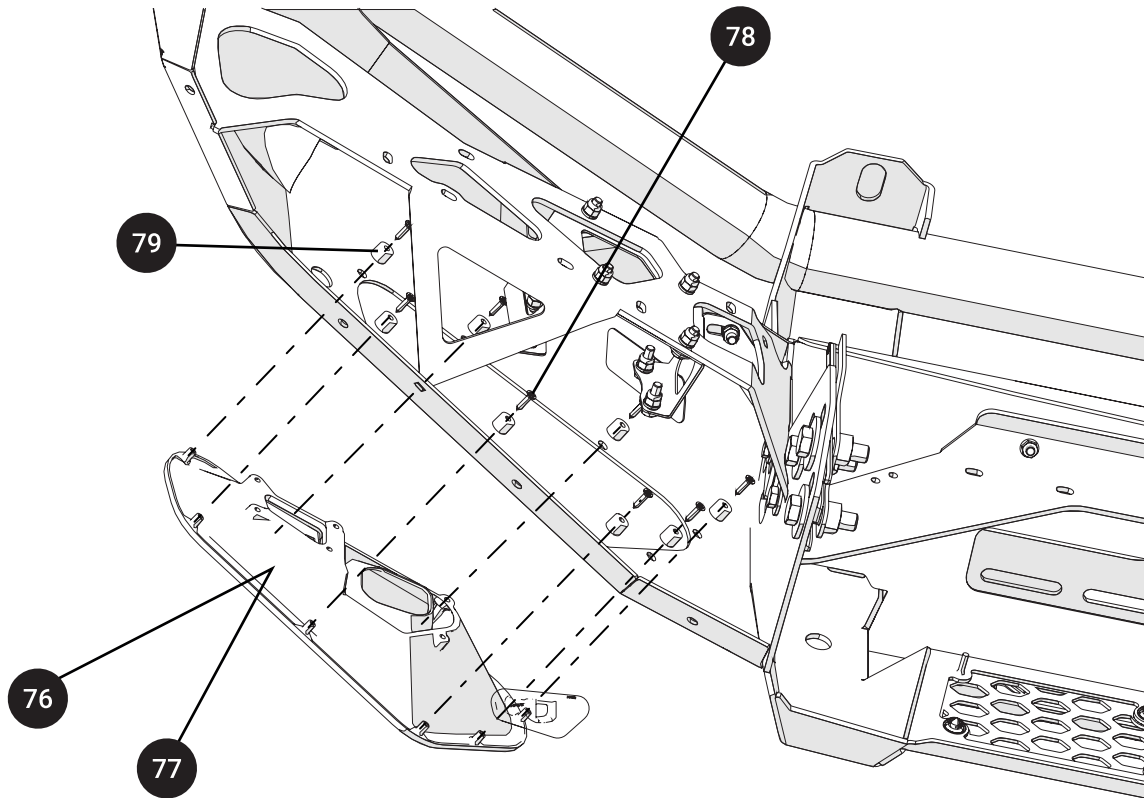


x8 45000074  
Nylock Nut M6

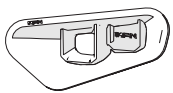
**Step 8 - Masks**



Bottom

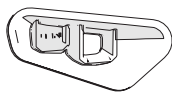


76



x1 46012390  
Mask (Right)

77



x2 46012389  
Mask (Left)

78



x4 45001123  
Bolt M3.5

79



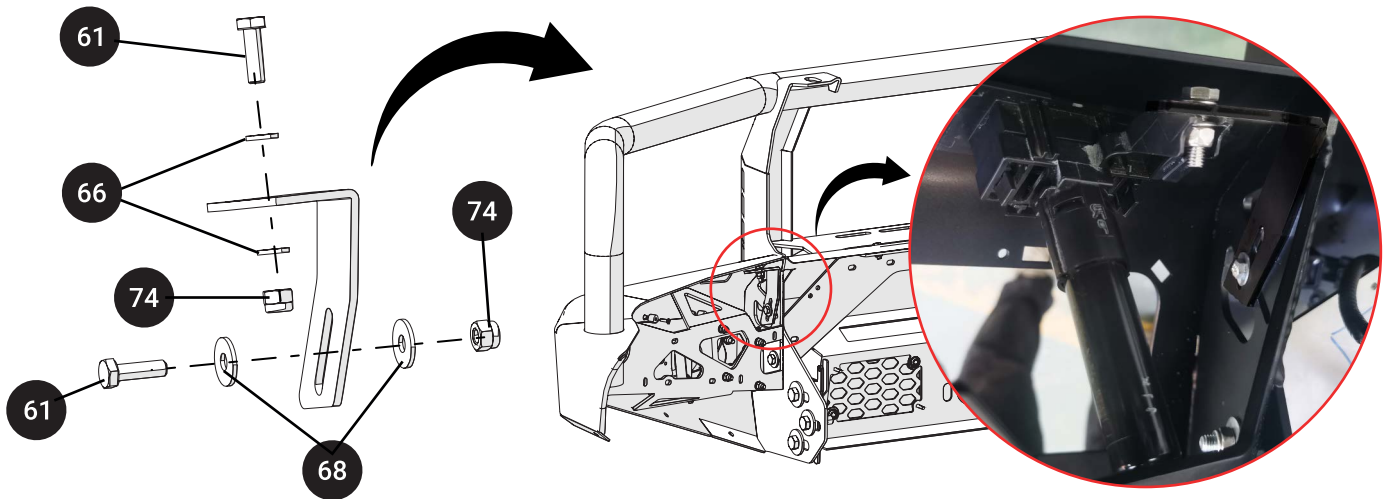
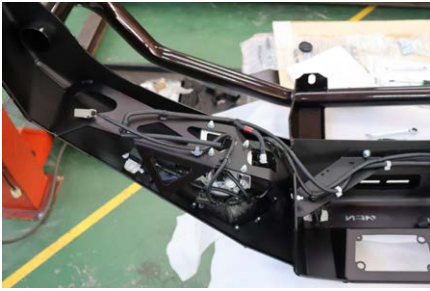
x4 46012491  
Plastic Stopper M3.5

Step 9 - OEM sensors and Headlight Washers

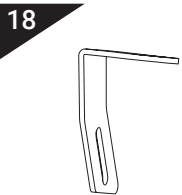


**Good quality, strong double-sided tape is recommended. (e.g., 3M)**

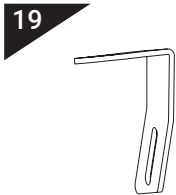




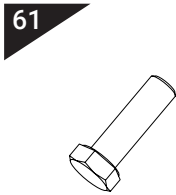
**Parts Needed:**



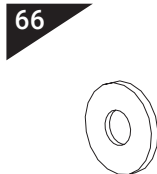
x1 4612340  
Headlight Washer  
bracket (Right)



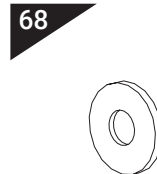
x1 46012339  
Headlight Washer  
bracket (Left)



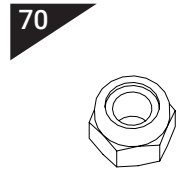
x2 45000043  
Bolt M6x20



x4 45000979  
Washer M6

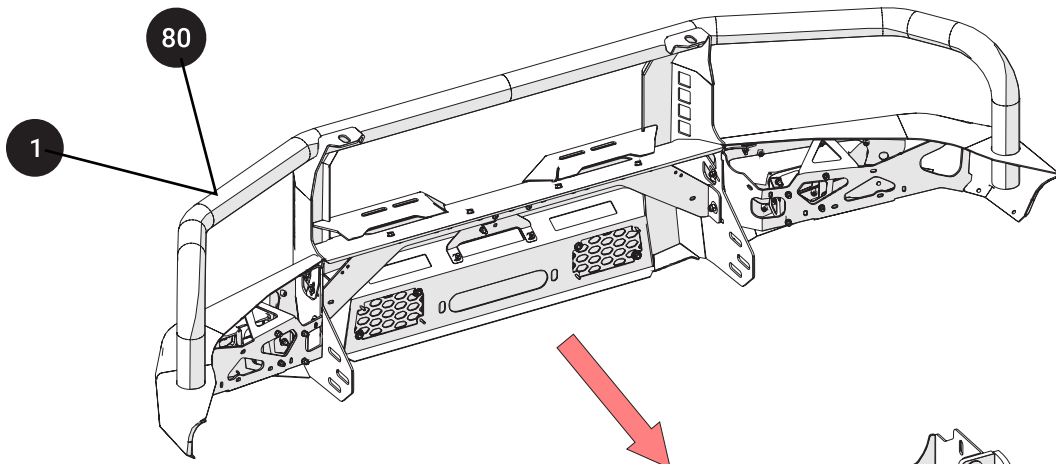


x4 45000050  
Washer M6

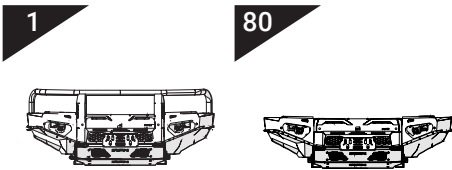


x2 45000050  
Nylock Nut M6

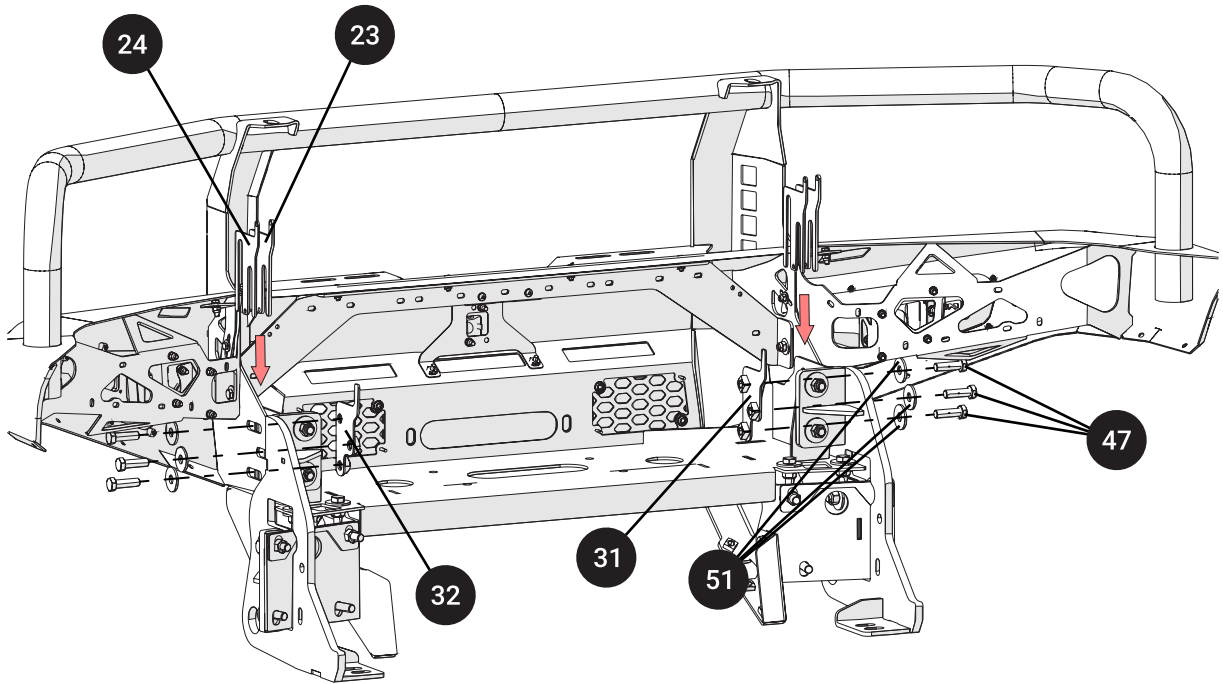
Step 10 - Bumper



Parts Needed:



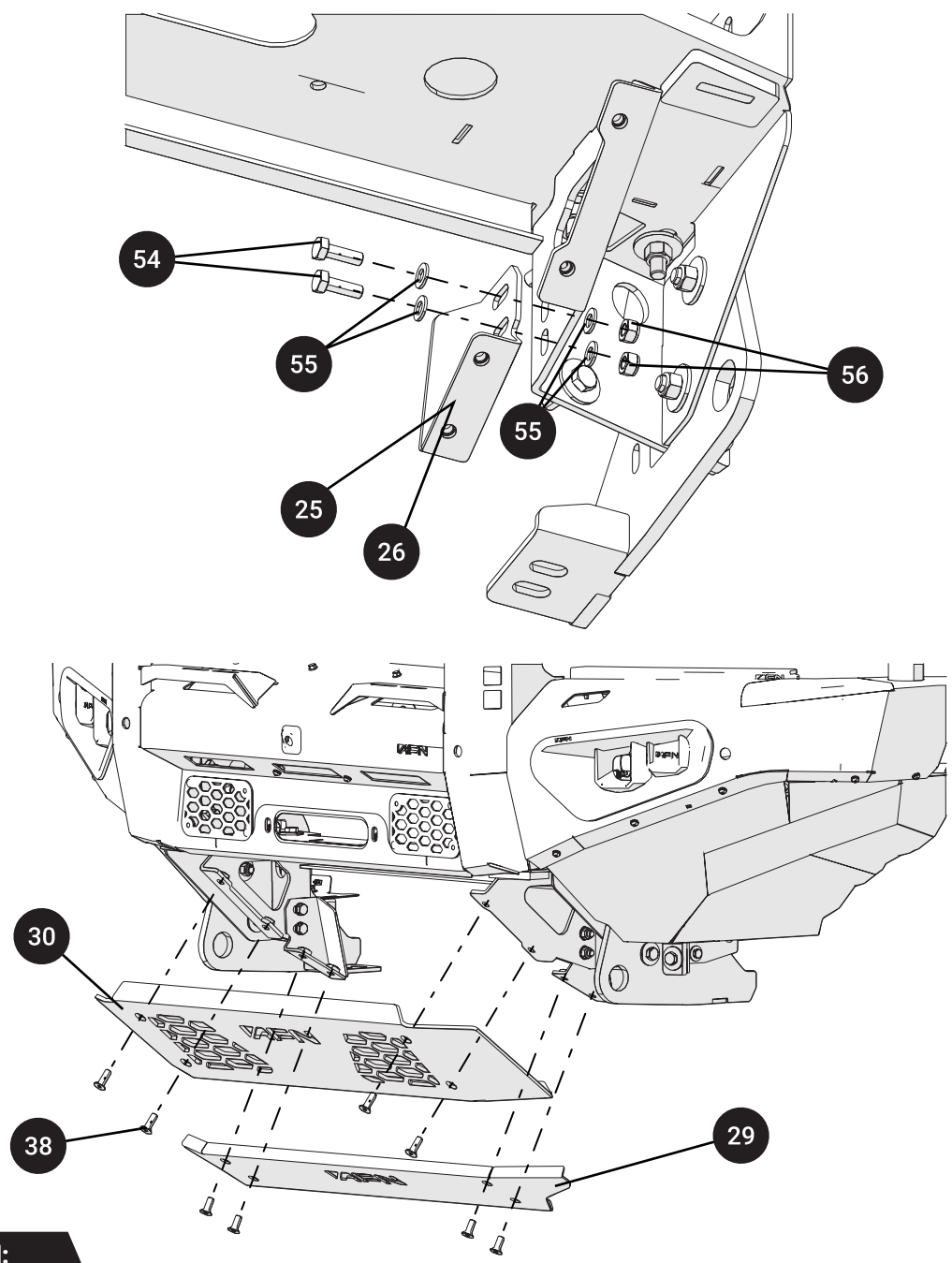
- x1 47002944 Bull Bar w/ fog lights
- x1 47003074 Front Bumper w/ fog lights



Parts Needed:

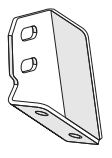
- |   |  |                         |                           |                            |                           |
|---|--|-------------------------|---------------------------|----------------------------|---------------------------|
| 31  | 32   | 23                      | 24                        | 47                         | 51                        |
|   |  |                         |                           |                            |                           |
| x1 47002967<br>Side Nut Plate<br>Welded (Right) | x1 47002966<br>Side Nut Plate<br>Welded (Left) | x2 46012246<br>Shim 4mm | x2 46012245<br>Shim 2.5mm | x6 45000267<br>Bolt M12x40 | x6 45000036<br>Washer M12 |

**Step 11 - Under Protections**



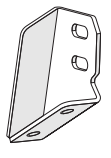
**Parts Needed:**

**25**



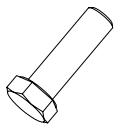
x1 46012218  
Under Protection  
bracket (Right)

**26**



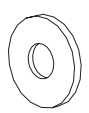
x1 46012217  
Under Protection  
bracket (Left)

**54**



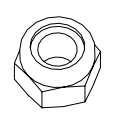
x4 45000007  
Bolt M10x30

**55**



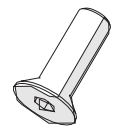
x8 45000039  
Washer M10

**56**



x4 45000017  
Nylock Nut M10

**38**



x8 45000934  
Bolt M10x30

**29**



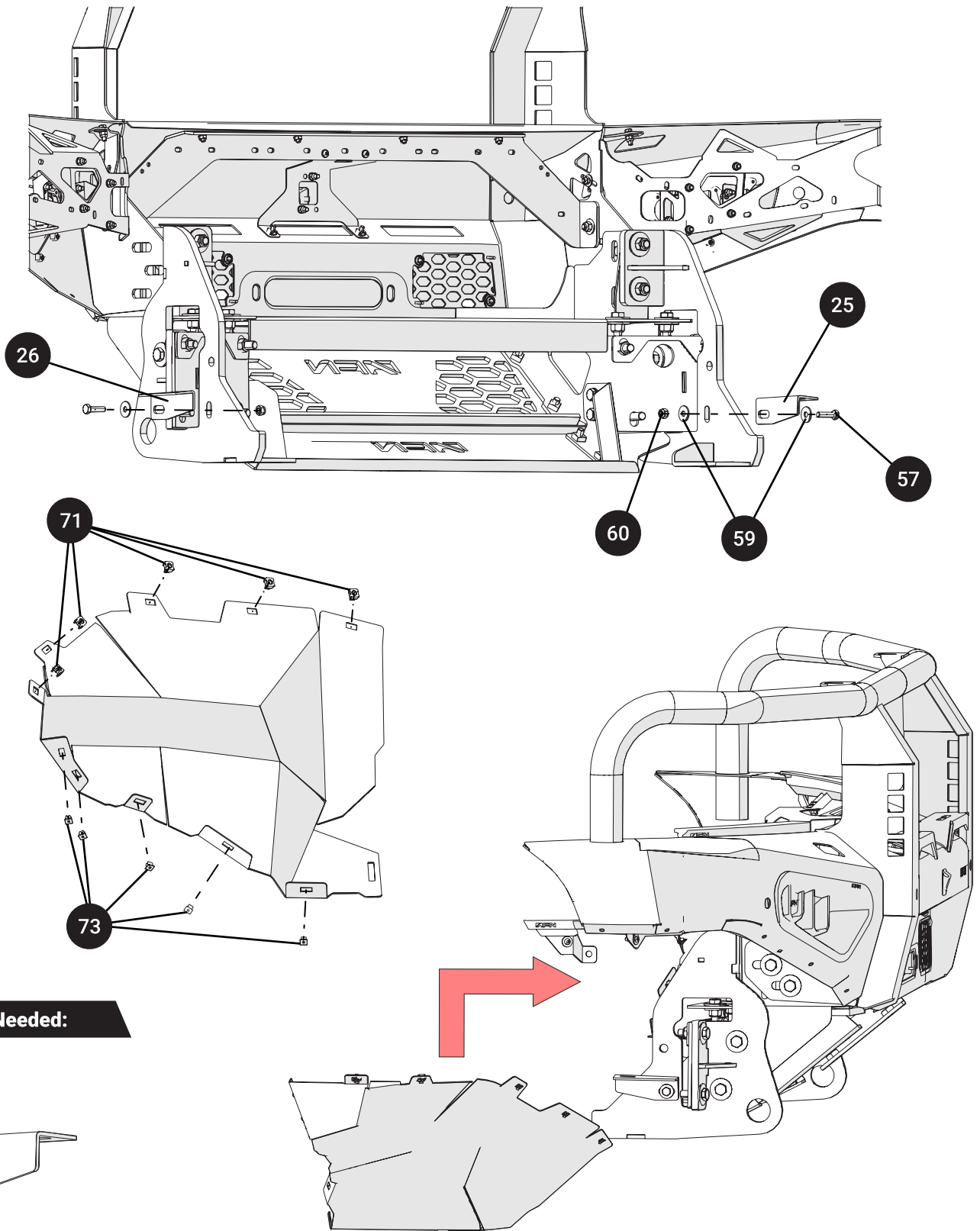
x1 46012364  
Under Front Skid  
Plate

**30**



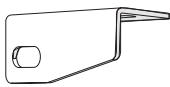
x1 46012206  
Front Skid Plate

Step 12 - Wings



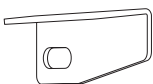
Parts Needed:

25



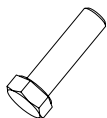
x1 46012218  
Under Protection  
bracket (Right)

26



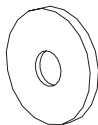
x1 46012217  
Under Protection  
bracket (Left)

57



x1 45000008  
Bolt M8x30

59



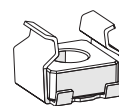
x2 45000011  
Washer M8

60



x2 45000018  
Nylock Nut M8

71

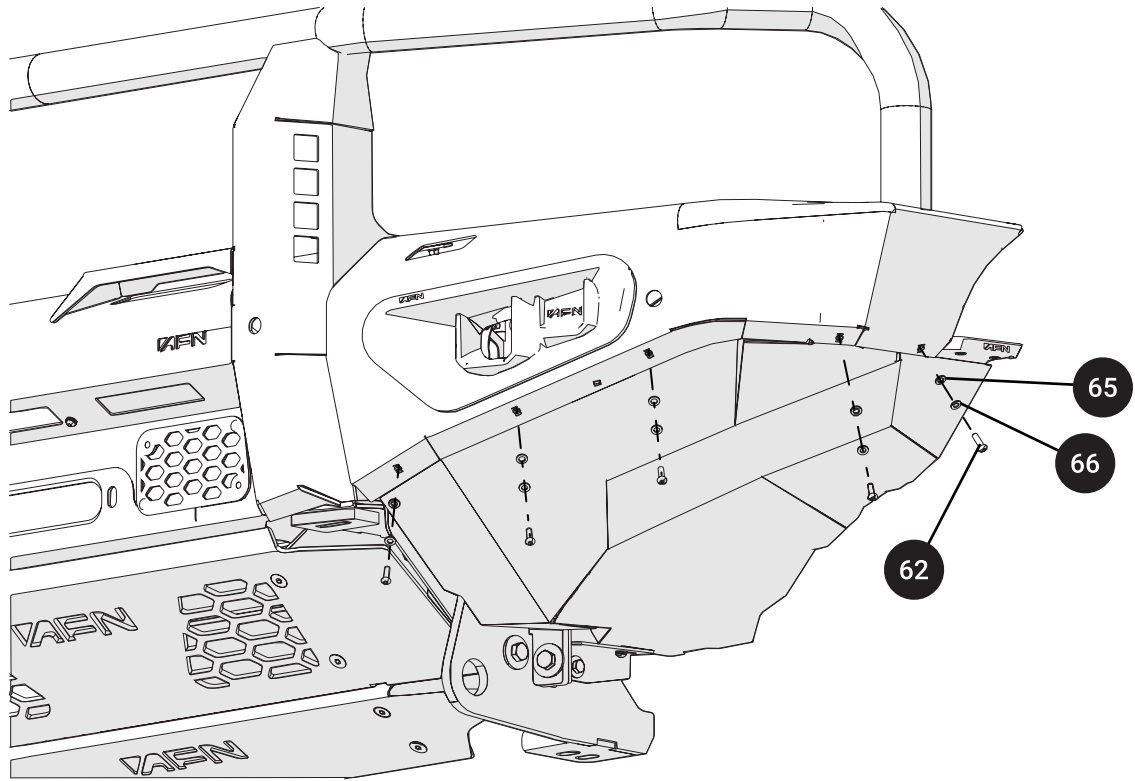


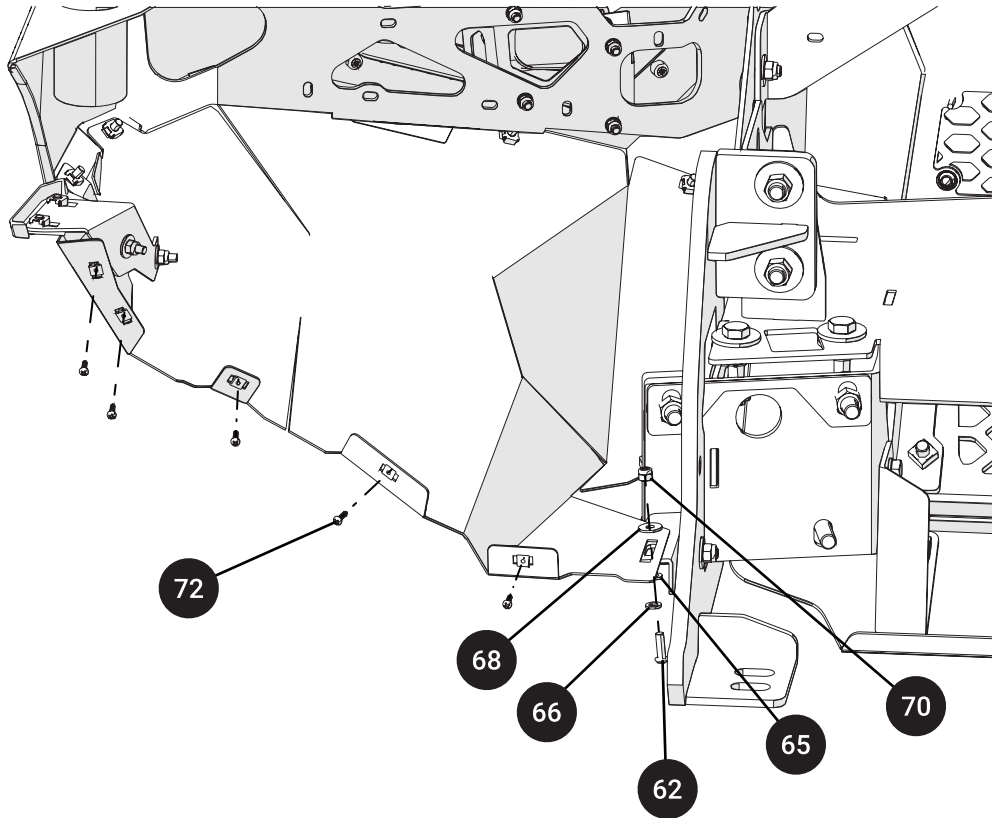
x6 45001012  
Cage Nut M6

73

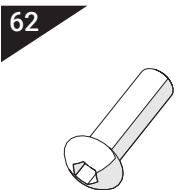


x6 45001113  
Plastic Nut

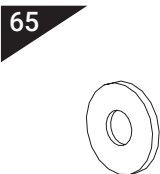




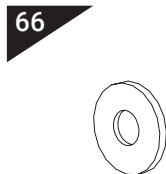
**Parts Needed:**



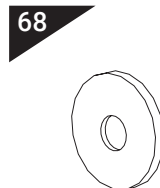
x12 45000998  
Bolt M6x20



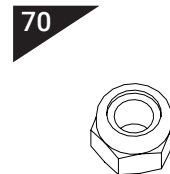
x12 45001802  
Plastic Washer M6



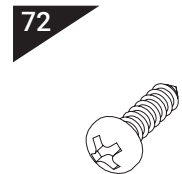
x12 45000979  
Washer M6



x2 45000044  
Washer M6 (Big)



x2 45000074  
Nylock Nut M6



x10 45001123  
Bolt M3.5x16

Final Result

REF.: 48002965



REF.: 48002985

