

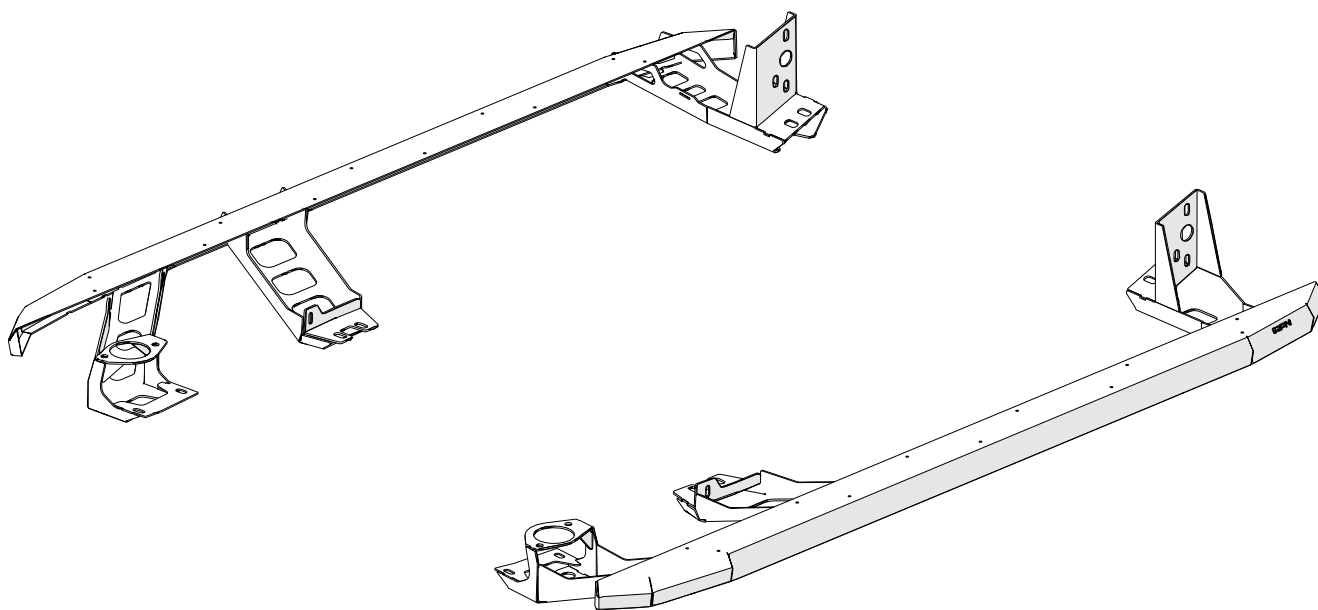


4 X 4 A C C E S S O R I E S

Fitting Instructions

Side Steps

Ford Ranger 2023
VW Amarok 2023



This manual contains the **Ford Ranger** and **VW Amarok** fitting instructions for:

Winch Mount **REF: 48002932**

AFN 4x4 Accessories

Product: **Winch Mount**

Ref: **48002932**

Checklist **3**

Product 48002932

Fitting Instructions **4**

Step 1 **5**

Step 2 **6**

Final Result **7**

CHECKLIST

- In this section you have a checklist with all parts included for the installation of your AFN product
- This product should be installed as demonstrated in the product fitting instructions
- If verified that any component is damaged, please contact your nearest AFN distributor
- The specified parts will only fit in the models specified by AFN
- Do not modify any component of the product

This checklist is for product **48002932**.

REF.: 48002932

| NUMBER | DESCRIPTION | REFERENCE | QTY |
|--------|-----------------------|-----------|-----|
| 1 | Left Side Step | 47002921 | 1x |
| 2 | Right Side Step | 47002922 | 1x |
| 3 | Aluminium Cover Step | 46011845 | 2x |
| 4 | Nut Plate M10 | 47002903 | 4x |
| 5 | Nut Plate M10 | 47002799 | 4x |
| 6 | Nut Plate M10 | 47002902 | 4x |
| 7 | Nut Plate M10 (Left) | 47002797 | 1x |
| 8 | Nut Plate M10 (Right) | 47002798 | 1x |
| 9 | Nut Plate M8 | 47002884 | 2x |
| 10 | Bolt M10x25 | 45001582 | 16x |
| 11 | Bolt M8x25 | 45001537 | 4x |
| 12 | Bolt M5x15 | 45001889 | 22x |
| 13 | Washer M10 (Big) | 45001251 | 16x |
| 14 | Washer M8 (Big) | 45001267 | 4x |
| 15 | Washer M5 | 45001890 | 22x |
| 16 | Nylock Nut M5 | 45001889 | 22x |

FITTING INSTRUCTIONS

WARNING:

Before you begin installation, read all instructions thoroughly.
 Proper tools will improve the quality of installation and reduce the time required.

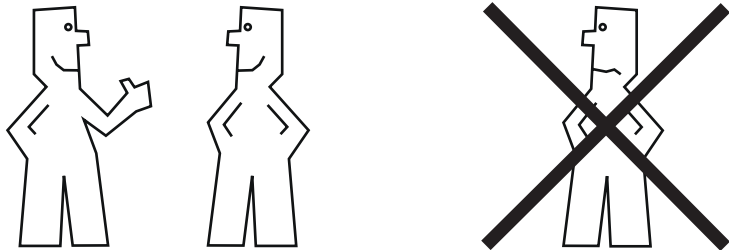
- This product should be installed as demonstrated in the *Product «Fitting Instructions»*;
- The specified parts, will only fit the models specified by **AFN**;
- Do not modify any component of the product;
- It is recommended that this product is installed by specialized and trained personnel;
- AFN doesn't take responsibility for changes made in the vehicle by its manufacturer;
- Work safely and use specialized tools at all times;
- **Always use protective gear.**



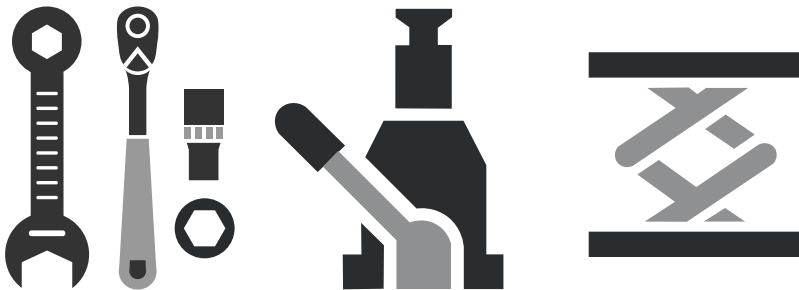
| Size | Torque Nm | Torque lbft |
|------|-----------|-------------|
| M6 | 9Nm | 7lbft |
| M8 | 22Nm | 16lbft |
| M10 | 44Nm | 32lbft |
| M12 | 77Nm | 57lbft |

Mouting Time

- 2 Hours
- 2 Persons (recommended)

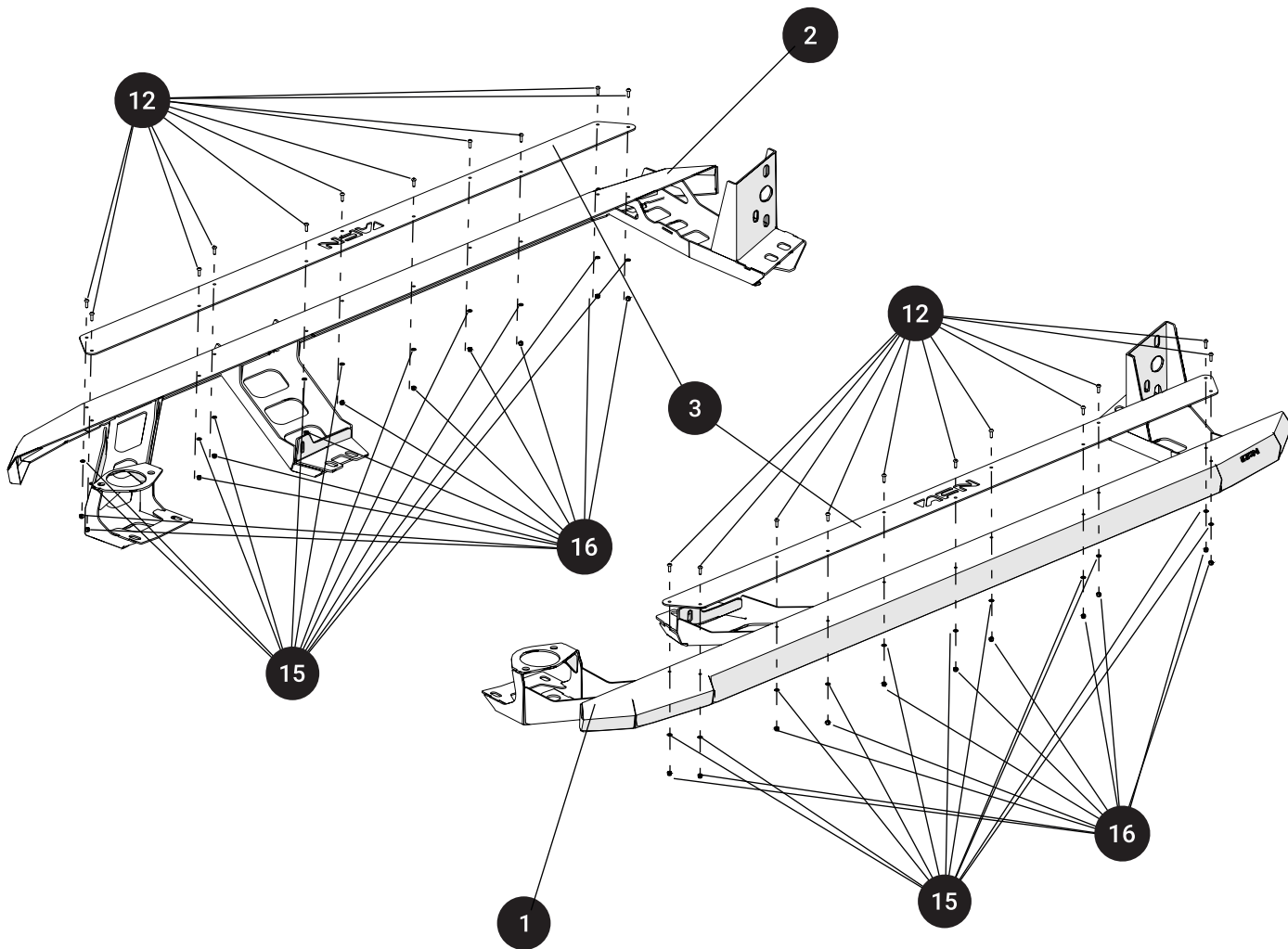


Tools Required



- Wrench
- Ratchet wrench
- Hydraulic Jack
- Lift

Step 1

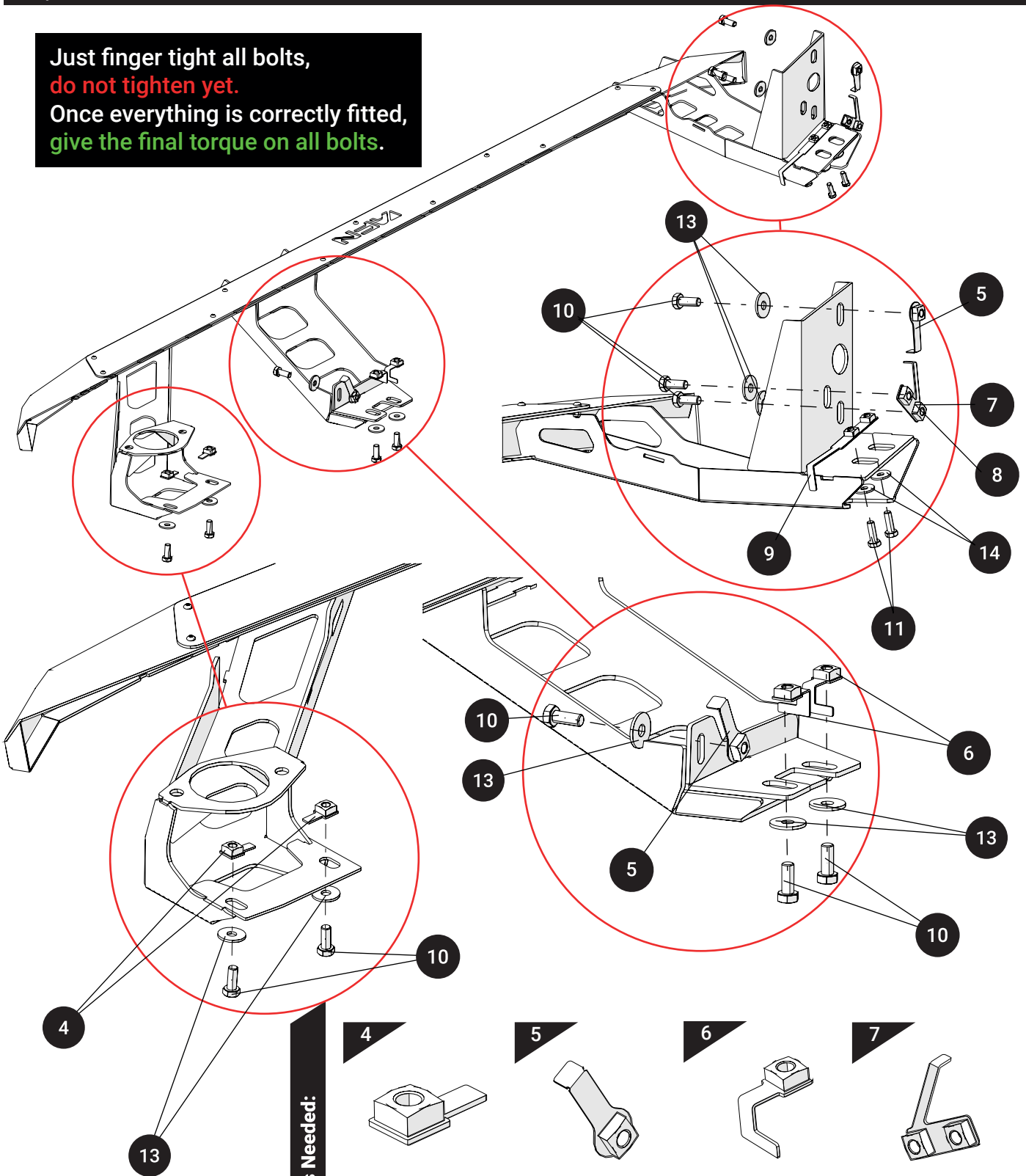


Parts Needed:

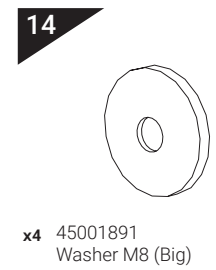
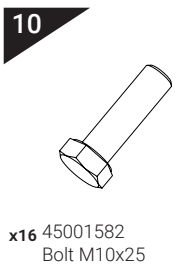
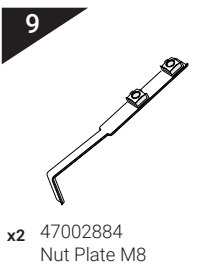
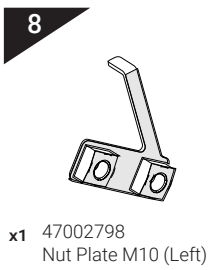
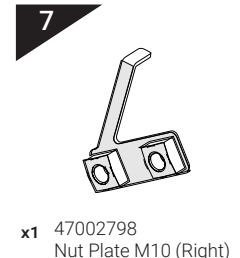
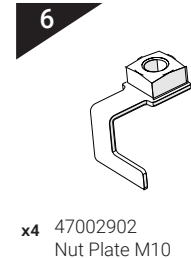
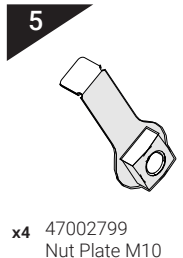
- | | | | | | |
|-------------------------------|--------------------------------|-------------------------------------|----------------------------|---------------------------|-------------------------------|
| 1 | 2 | 3 | 12 | 15 | 16 |
| | | | | | |
| x1 47002921 Left Side Step | x1 47002922 Right Side Step | x2 46011845 Aluminium Cover Step | x22 45001889 Bolt M5x15 | x22 45001890 Washer M5 | x22 45001891 Nylock Nut M5 |

Step 2

Just finger tight all bolts,
do not tighten yet.
Once everything is correctly fitted,
give the final torque on all bolts.



Parts Needed:



Final Result

